

# MAGICOOL

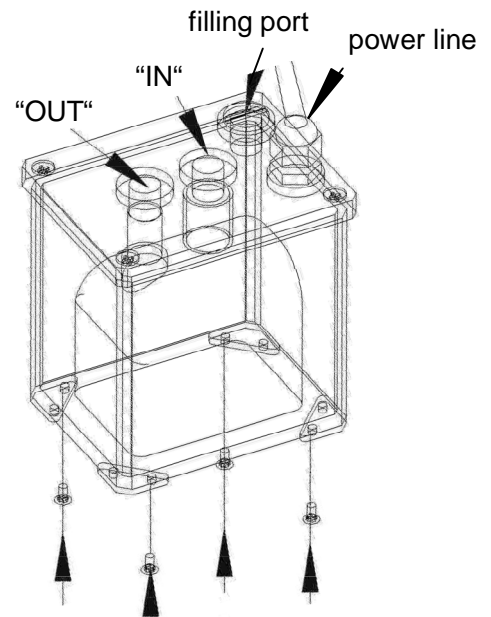
## Magicool® Deep Quiet 700 Pump

As a professional OEM manufacturer in Computer liquid cooling area, Magicool®'s product line covers all liquid cooling components, especially different size of heat exchangers, water tanks, pumps, cooling blocks and accessories. Excellent price-performance ratio and reliable quality make Magicool® products unique.

With its integrated reservoir the Magicool® Deep Quiet 700 Pump sits on rubber feet, which absorb vibrations during its powerful operation and thus ensure a quiet pump run for silent systems. The G ¼" fitting threads provides compatibility with most of the water cooling systems on market and along with the G ¼" filling port this pump makes the water cooling setup extremely convenient.



### Installation Drawing



Step by Step Installation subscription

1. Place the pump vertical, power cable up, on the case bottom, drill holes for M3 threads if necessary, screw down tight using enclosed M3 screws.
2. Connect the pump with other liquid cooling components, please pay attention to "IN" and "OUT", connect the 4 pin power cable and fill liquid using ¼" port, liquid level should be higher than inlet tube end.
3. Alternatively you can stick the pump on to the case bottom by enclosed double-sided decouple pad.

#### Features:

- Has an integrated water reservoir
- Compact dimensions for easy mounting
- Pumps up to 700 l/hr.
- Strong lifting height of 1,7 m
- Ceramic bearing guarantee long life expectancy

#### Specifications

Dimensions (L x W x H)	: 100 x 80 x 117 mm
Weight approx	: 650 g
Material	: Fiber Glass Nylon
Connectors	: 2x G ¼"
Filling port	: 1x G ¼"
Water capacity	: 250 ml
Pump speed	: 700 l/hr.
Lifting height	: 1,7 m
Power input	: DC 12 V
Pump power	: 10 Watt
Life time	: 50,000 hrs.

#### Delivery includes

1x MC-Pump700  
1x Decoupler pad  
4x M3 screws (5 mm)